

STEP OVER SITE MEASUREMENTS



Step on Safety

Site:.....

Date:.....

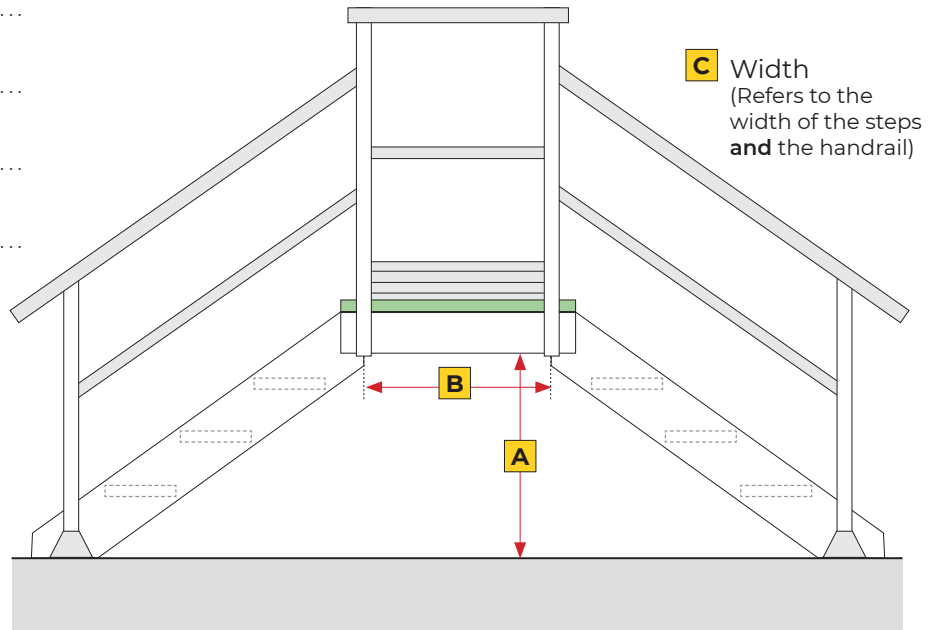
Location:.....

Survey by:.....

In order to provide an accurate quote we'll need to know exactly how big the step over needs to be.

Handrails are required on a step over with a height of 400mm or more

Please provide the following measurements:



A Height (clearance)

 mm

B Length

 mm

C Width (min. 500mm)

 mm

D Handrail (Required above 400mm)

- One side
- Two sides

Additional Info.

Variation from the measurements supplied could invalidate any quote we provide. Quotes are subject to site survey.

FOR MORE INFORMATION

Call: **01206 396 446**

Email: sales@steponsafety.co.uk

Visit: www.steponsafety.co.uk