

# HOP OVER SITE MEASUREMENTS



# Step on Safety

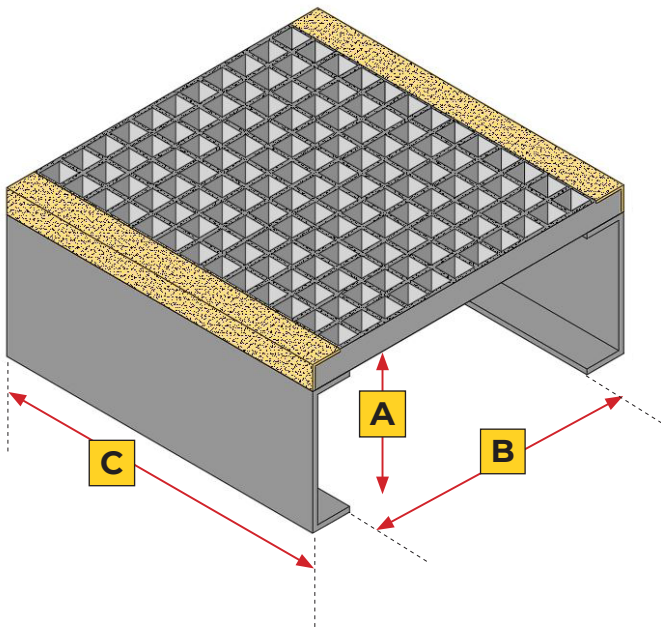
Site:.....

Date:.....

Location:.....

Survey by:.....

In order to provide an accurate quote we'll need to know exactly how big the hop over needs to be.



Please provide the following measurements:

**A** Height (max 400mm)

**B** Length

**C** Width

Additional Info.

Variation from the measurements supplied could invalidate any quote we provide. Quotes are subject to site survey.

## FOR MORE INFORMATION

Call: 01206 396 446

Email: sales@steponsafety.co.uk

Visit: www.steponsafety.co.uk

