

STANDARD MESH GRATING

DATASHEET

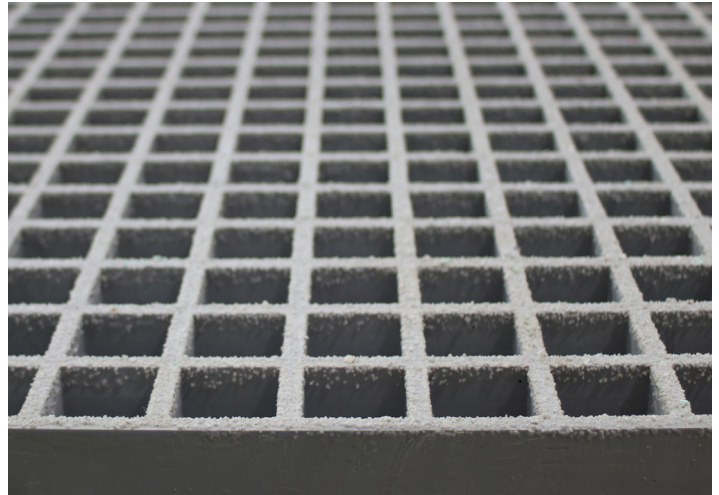


Step on Safety

Physical & Mechanical Data

Mechanical Data

- Elastic Modulus 27 GPa
- Flexural Strength 2.8 GPa
- Tensile Strength 650 MPa
- Compressive Strength 90 MPa
- Dielectric Strength 18 KW/mm
- Specific Gravity 1.5 ÷ 1.7
- Thermal Expansion Factor 13×10^{-6} mm/mm °C
- Water Absorption 0.1% + 0.3% x 24 hours (ISO R62)
- Operating Temperature -100°C to + 180°C

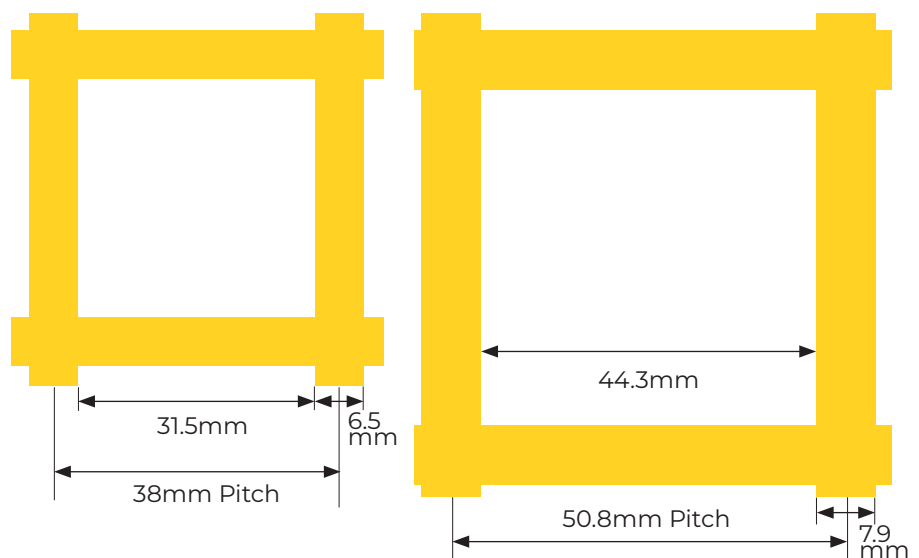


Physical Data

Grating Depth (mm)	Grating Pitch (mm)	Bar Thickness		Per 300mm of Width				No. of bars per 300mm	% Glass Content	Weight (kg/m ²)	% Open Area
		Top	Bottom	cm ²	cm ³	cm ⁴	El kg/m ²				
25	38	6.5	5.5	11.5	4.91	6.24	119	8	32	12	69
38	38	6.5	5.5	17.6	10.64	21.38	275	8	32	18.2	69
50	50.8	7.9	6.4	20.1	16.8	42.8		6	32	21.7	71

Manufacturing Tolerances

- Standard Panel Size = +2mm, -0mm
- Cut Panel Size = ±3mm
- Thickness = ±1mm
- Mesh Pattern = ±0.5mm



FOR MORE INFORMATION

Call: 01206 396 446

Email: sales@steponsafety.co.uk

Visit: www.steponsafety.co.uk