



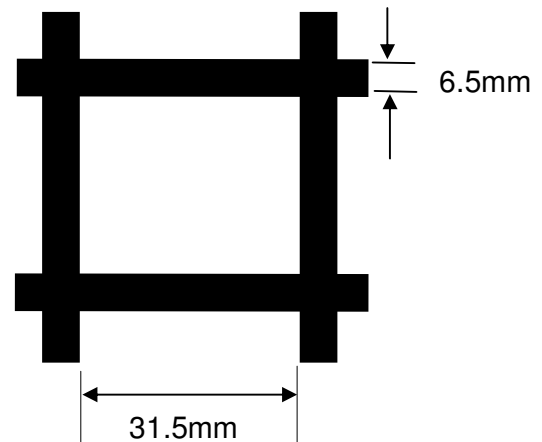
**MECHANICAL AND PHYSICAL DATA OF MOULDED FIBREGLASS GRATING**

Grating Depth	BAR THICKNESS		PER 300MM OF WIDTH				No. of Bars Per 300mm	Glass Content %	Weight Kg/m <sup>2</sup>	Open Area %
	TOP	BTM	CM <sup>2</sup>	CM <sup>4</sup>	CM <sup>3</sup>	EI KG/M <sup>2</sup>				
38mm	6.60	5.00	17.74	21.81	11.31	275	8	30.5	18.0	69.0
25mm	6.60	5.50	12.39	6.71	5.24	119	8	32.0	12.0	69.0

**WEIGHT**

25 mm; 12 kilos per square metre

38 mm; 18 kilos per square metre



**MECHANICAL DATA**

Elastic Modulus	27 Gpa
Flexural Strength	2.8 Gpa
Tensile Strength	650 Mpa
Compressive Strength	90 Mpa
Dielectric Strength	18 KW/mm
Specific Gravity	1.5÷1.7
Thermal Expansion Factor	$13 \times 10^{-6} \text{ mm/mm } ^\circ\text{C}$
Water Absorption	0.1% + 0.3% x 24 hours (ISO R62)
Operating Temperature	-100c to +180c

**MANUFACTURING TOLERANCES**

Standard Panel Size	+ 2 mm	- 0 mm
Cut Panel Size	+ 3 mm	- 3 mm
Thickness	+ 1 mm	- 1mm
Mesh Pattern	+ 0.5mm	- 0.5mm